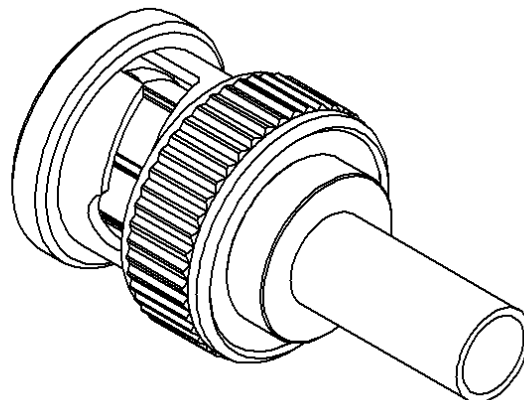
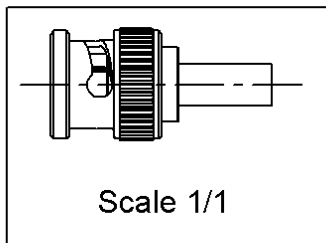
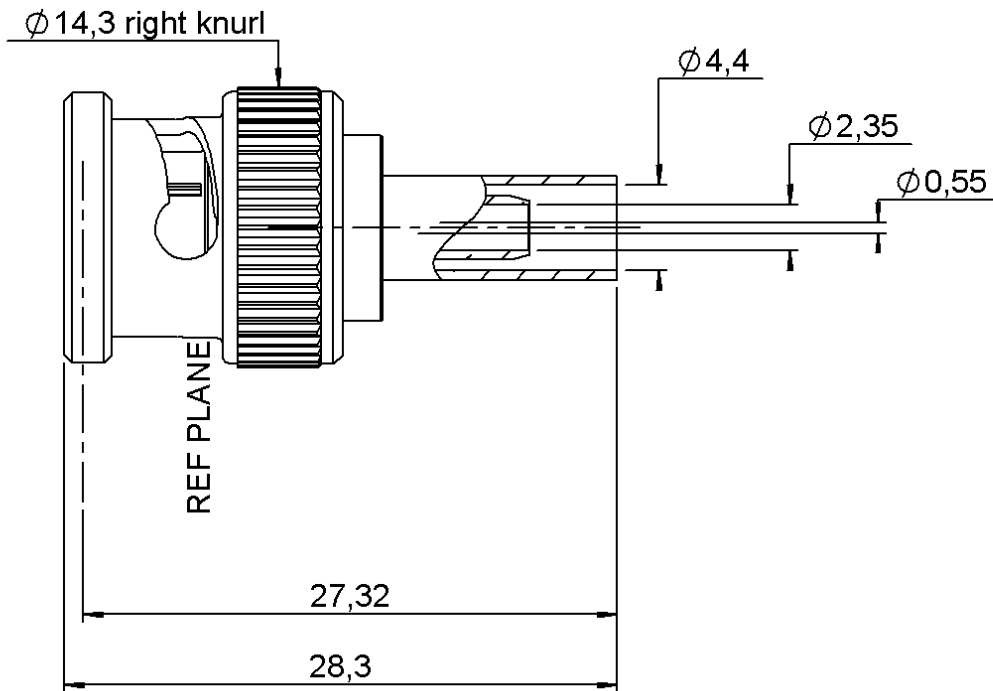


STRAIGHT PLUG CRIMP TYPE

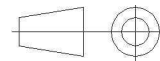
CABLE 3.7/75 D (MC 75-39)

R142.081.140

Series : **BNC 75**



All dimensions are in mm.



COMPONENTS	MATERIALS	PLATINGS (μm)
BODY	BRASS	NICKEL 2
CENTER CONTACT	BRASS	GOLD 0.5 OVER NICKEL 2
OUTER CONTACT	BRASS	NICKEL 2
INSULATOR	POLYPROPYLENE	
GASKET	SILICONE RUBBER	
OTHERS PARTS	DIE-CAST	
-	-	-
-	-	-

Issue : 0808 E

In the effort to improve our products, we reserve the right to make changes judged to be necessary.



RADIALL®

STRAIGHT PLUG CRIMP TYPE

CABLE 3.7/75 D (MC 75-39)

R142.081.140

Series : **BNC 75**

PACKAGING

Standard	Unit	Other
1		Contact us

SPECIFICATION

ELECTRICAL CHARACTERISTICS

Impedance		75 Ω
Frequency		0-1.5 GHz
VSWR	1.30 +	0,0000 x F(GHz) Maxi
Insertion loss		0.115 √F(GHz) dB Maxi
RF leakage	- (57 - F(GHz)) dB Maxi
Voltage rating		500 Veff Maxi
Dielectric withstanding voltage		1500 Veff mini
Insulation resistance		5000 MΩ mini

CABLE ASSEMBLY

Stripping	a	b	c	d	e	f
mm	4,00	8,50	15,0	0,00	11,0	0,00

Assembly instruction : **Crimp 02**

Recommended cable(s)
MC 75-39
L910/39

Characteristics indicated on this data sheet are those that can be achieved with the highest performance cable. Intrinsic limitations of the cable may diminish the performance of the assembly

Cable retention

- pull off **150** N mini
- torque **NA** N.cm

MECHANICAL CHARACTERISTICS

Center contact retention		
Axial force – Mating end	27	N mini
Axial force – Opposite end	27	N mini
Torque	NA	N.cm mini

Recommended torque		
Mating	NA	N.cm
Panel nut	NA	N.cm
Clamp nut	NA	N.cm
A/F clamp nut	0,0000	mm

Mating life	500	Cycles mini
Weight	7,9910	g

TOOLING

Part Number	Description	Hexagon
R282.281.000	CRIMPING TOOL	2x4 pts (pos.7 or 8)
R282.968.020	POSITIONER FOR CRIMPING TOOL	
R282.211.000	CRIMPING TOOL	4.52
R282.293.000	CRIMPING TOOL M22520/5-01	-
R282.235.903	CRIMPING DIES	4.52
R282.287.000	CRIMPING TOOL Q92316	
R282.265.002	CRIMPING DIES Q92435	4.52

ENVIRONMENTAL

Operating temperature	-65/+165	° C
Hermetic seal	NA	Atm.cm3/s
Panel leakage	NA	

OTHERS CHARACTERISTICS

Issue : **0808 E**

In the effort to improve our products, we reserve the right to make changes judged to be necessary.

